

SINGER

172K1

Form K6427
(Supersedes K6276)

ILLUSTRATED LIST OF PARTS

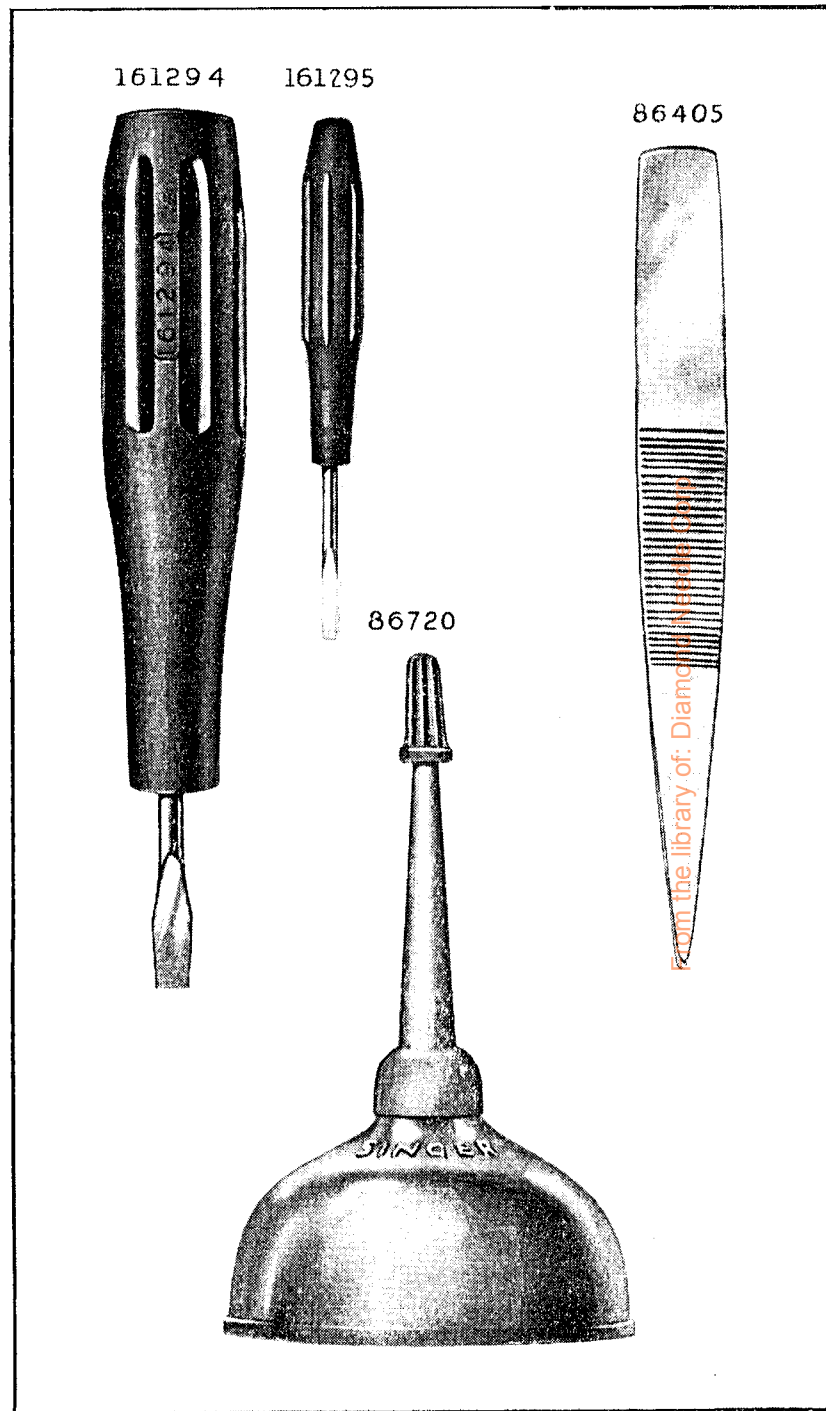
FOR

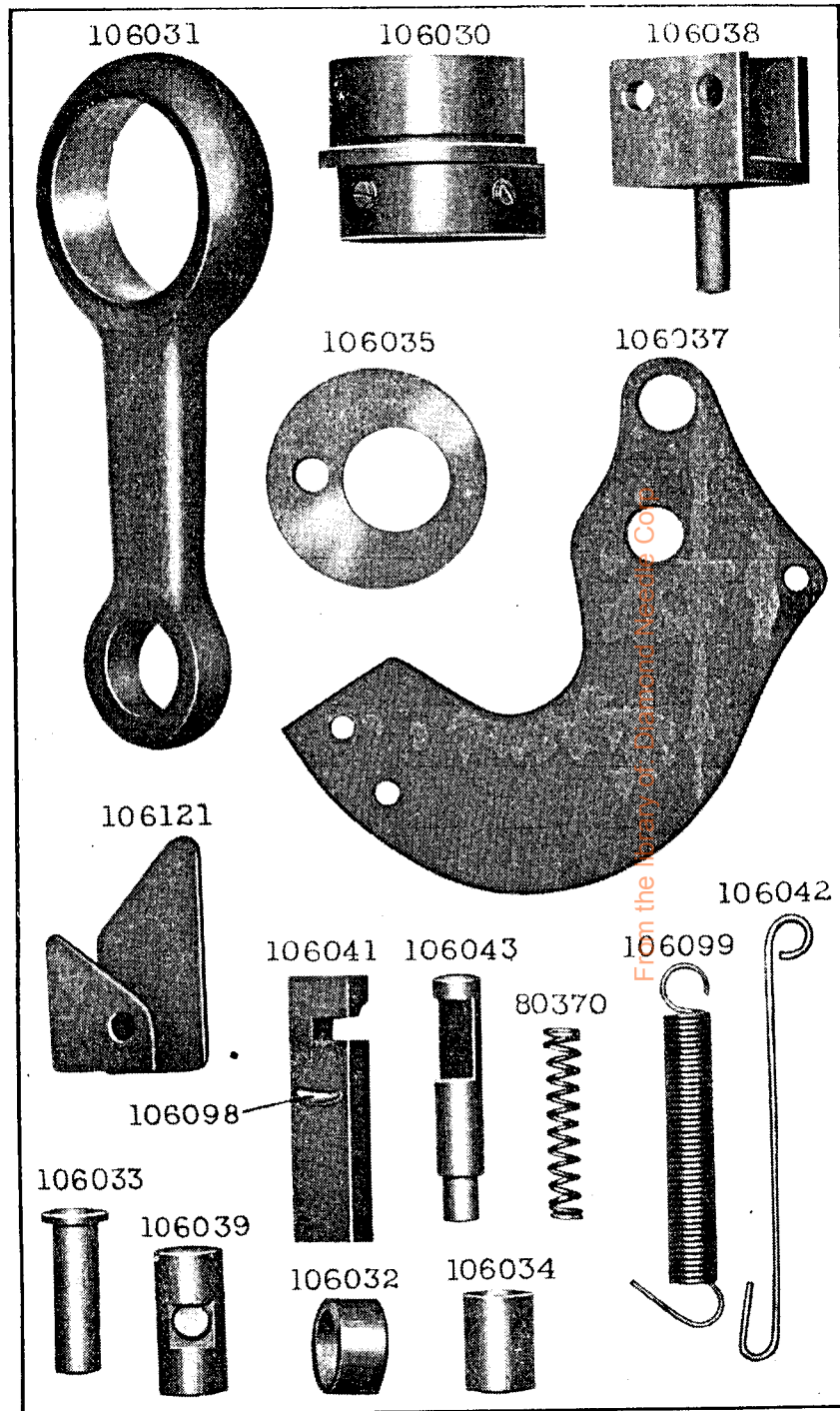
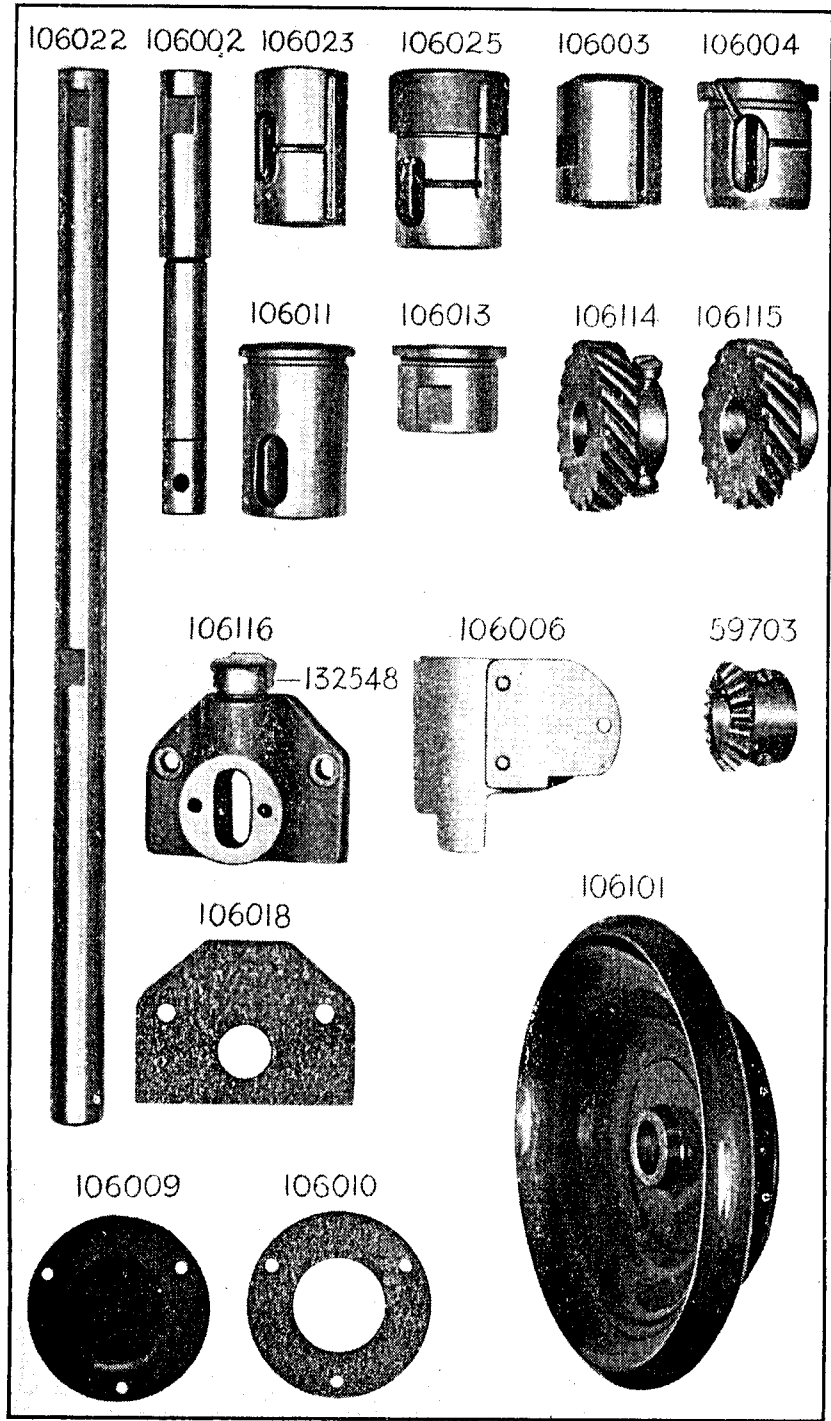
SINGER** MACHINE No. 172K1

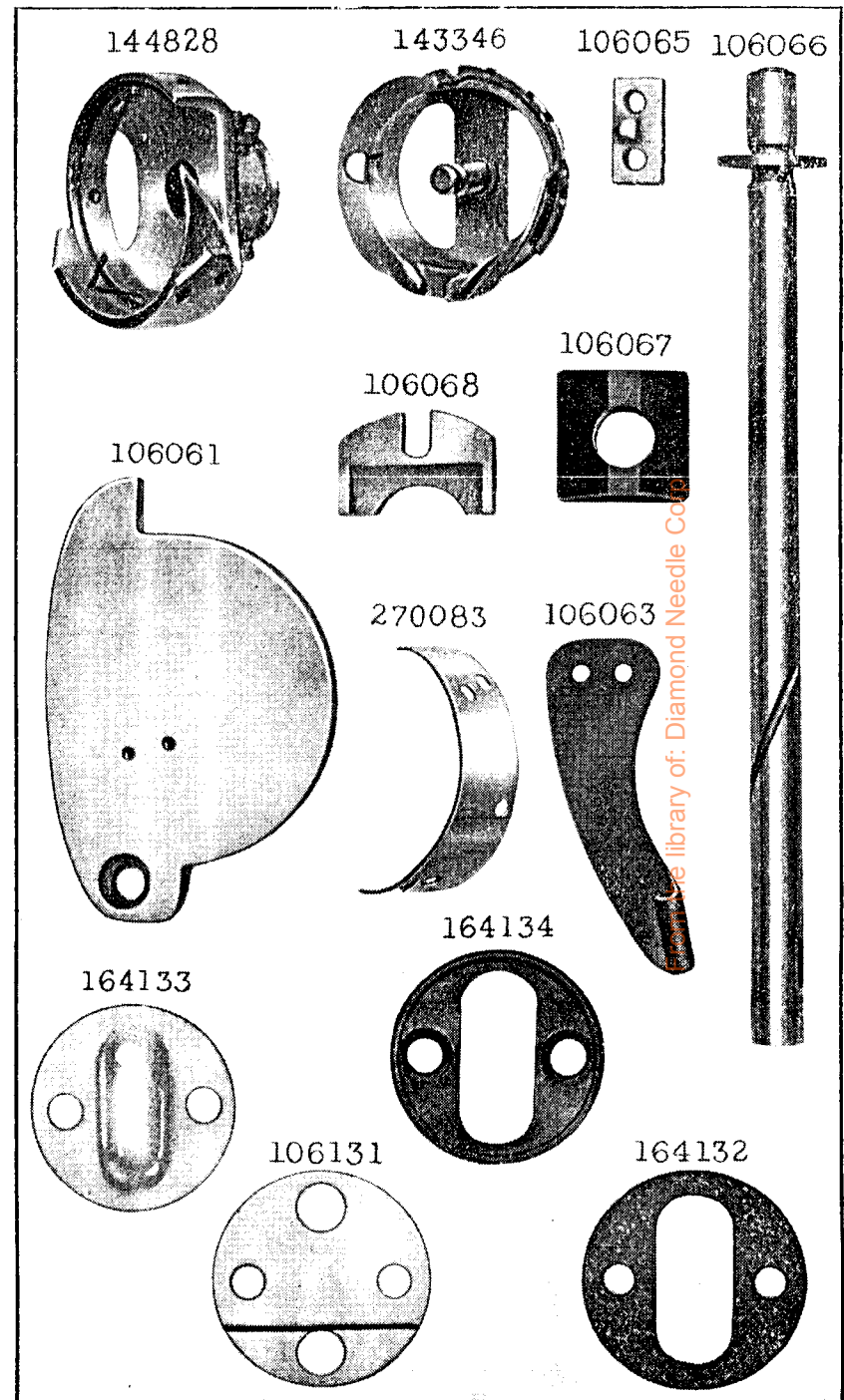
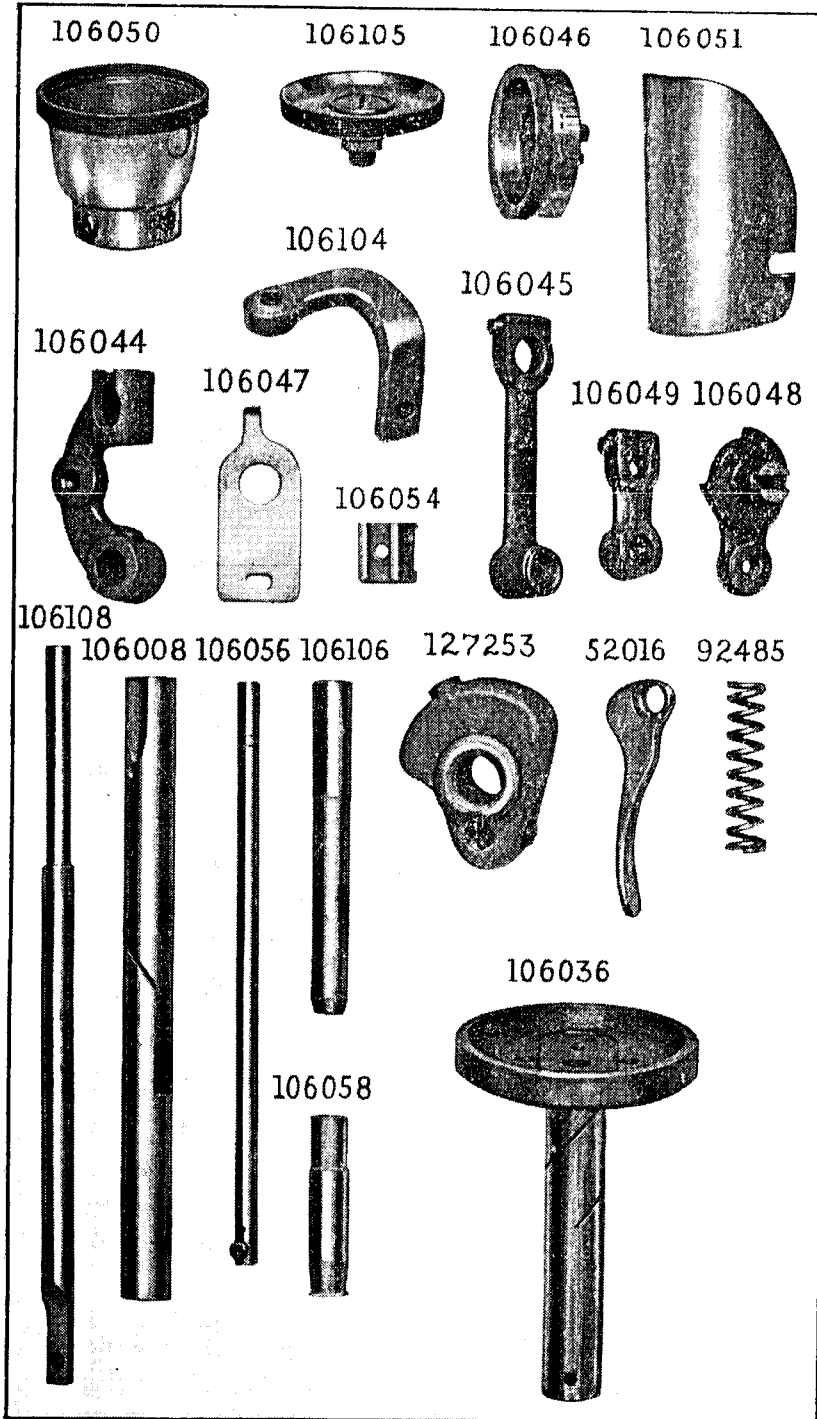


THE SINGER MANUFACTURING COMPANY

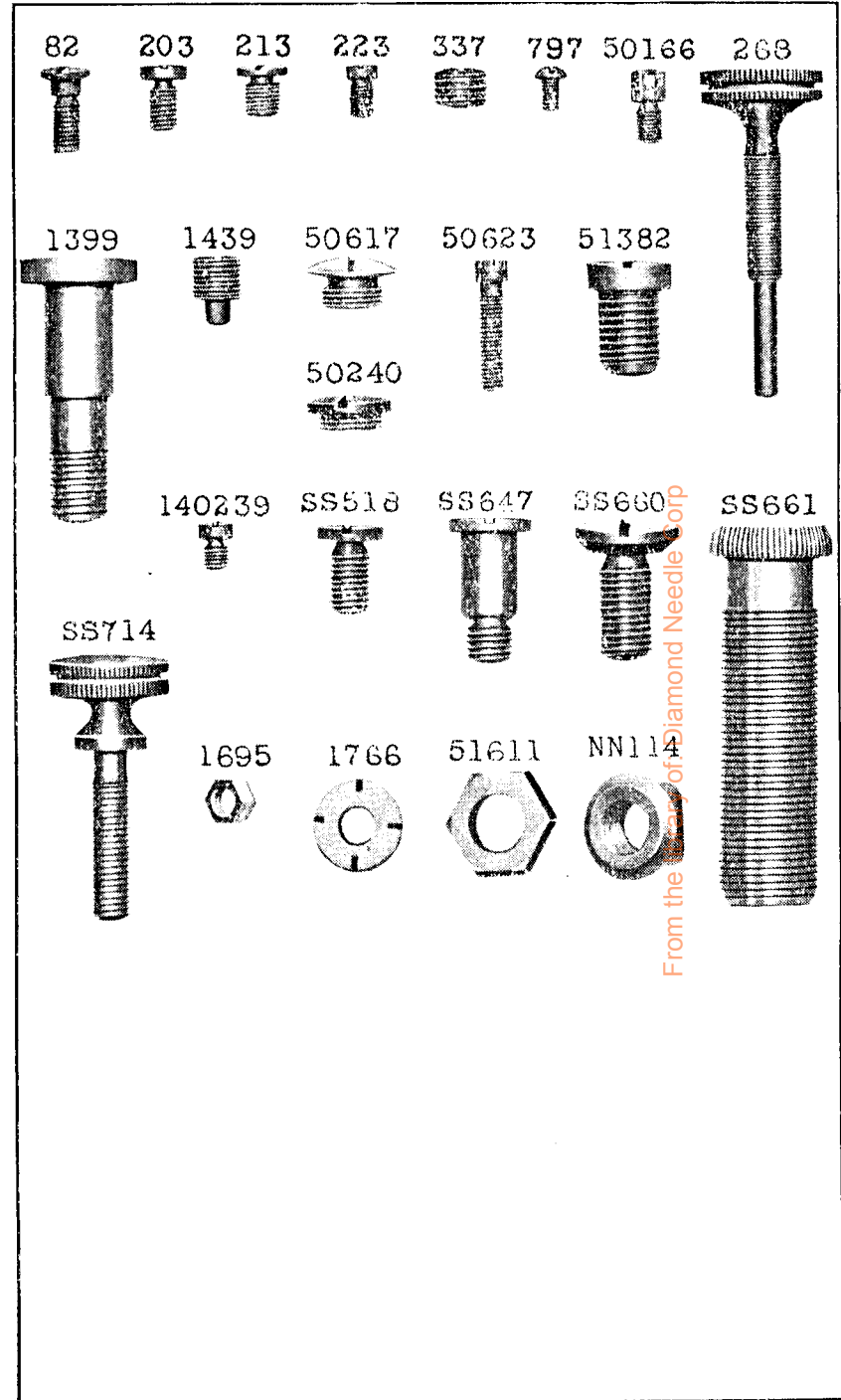
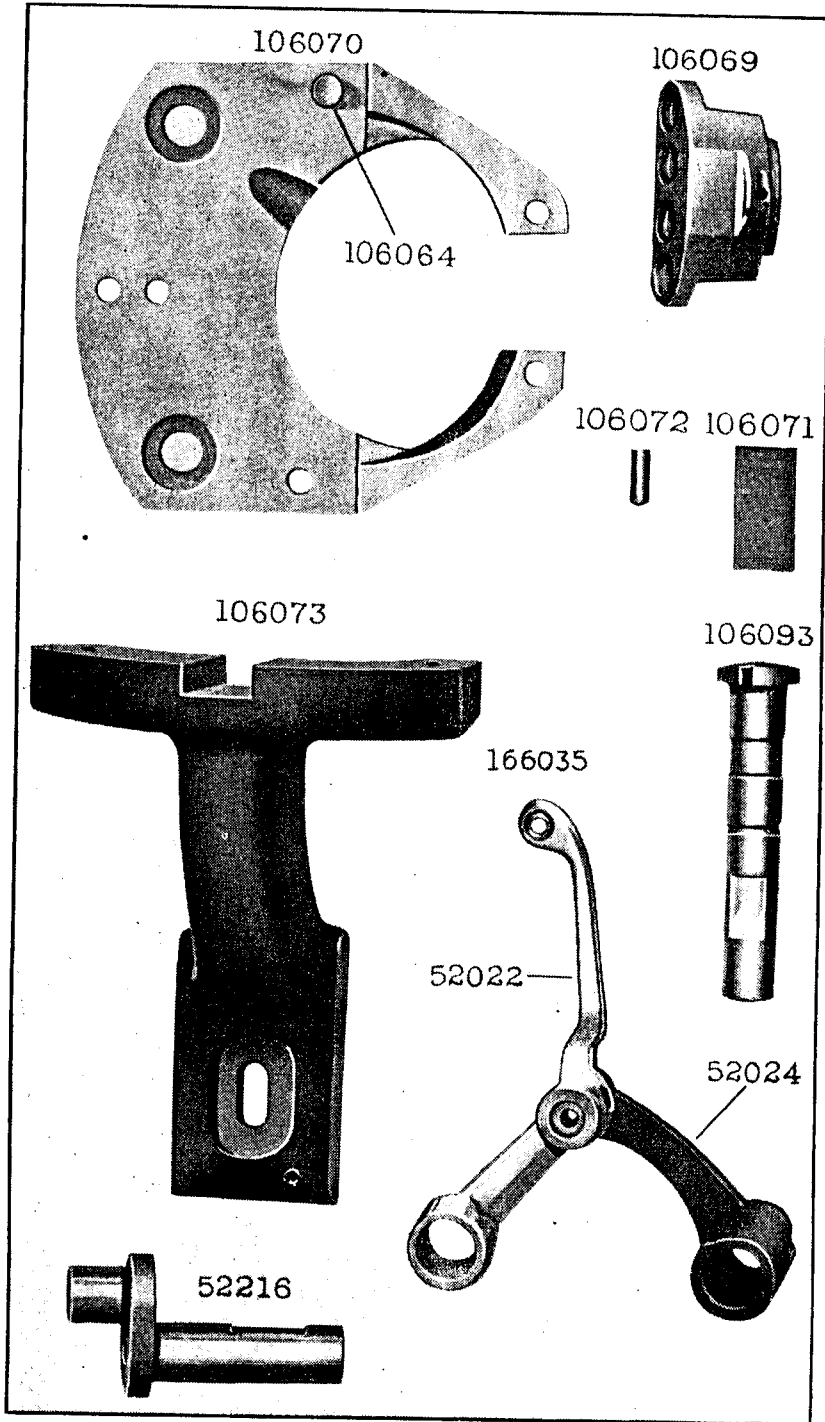
** A Trademark of THE SINGER MANUFACTURING COMPANY



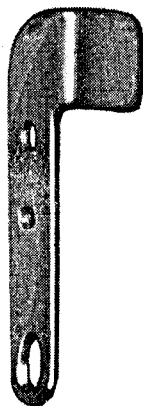




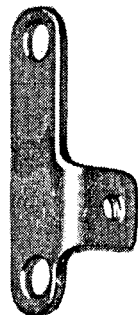
From the library of: Diamond Needle Co.



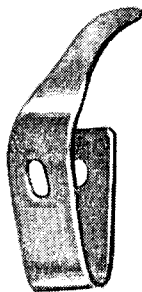
106119



41344



41345



106120



1430



SS361



1550



2455



10141



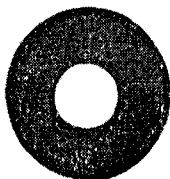
9331



2106



9842



139125



106059



106117



52170



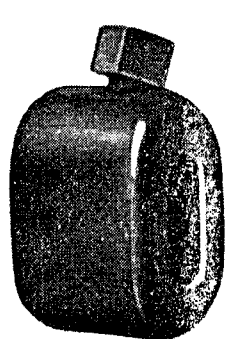
52198



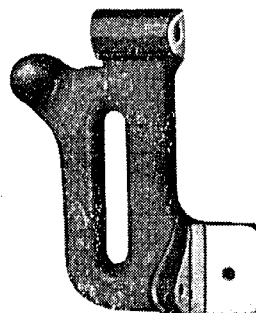
106110



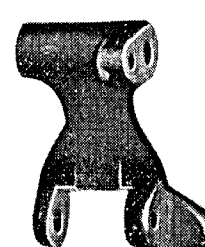
89190



41339



41340



1429



41343



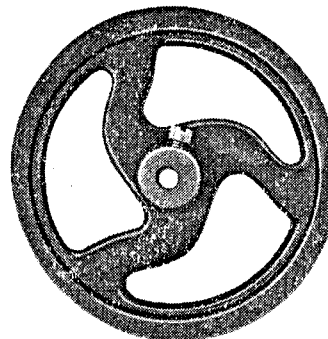
27306



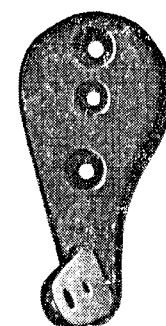
41341



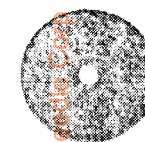
106118



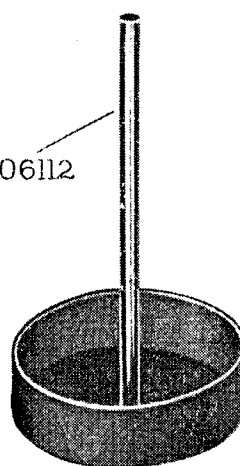
27307



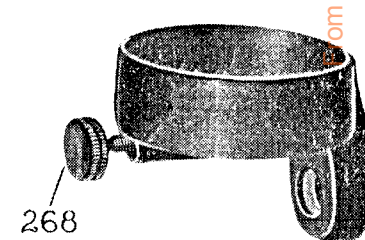
11241



106109



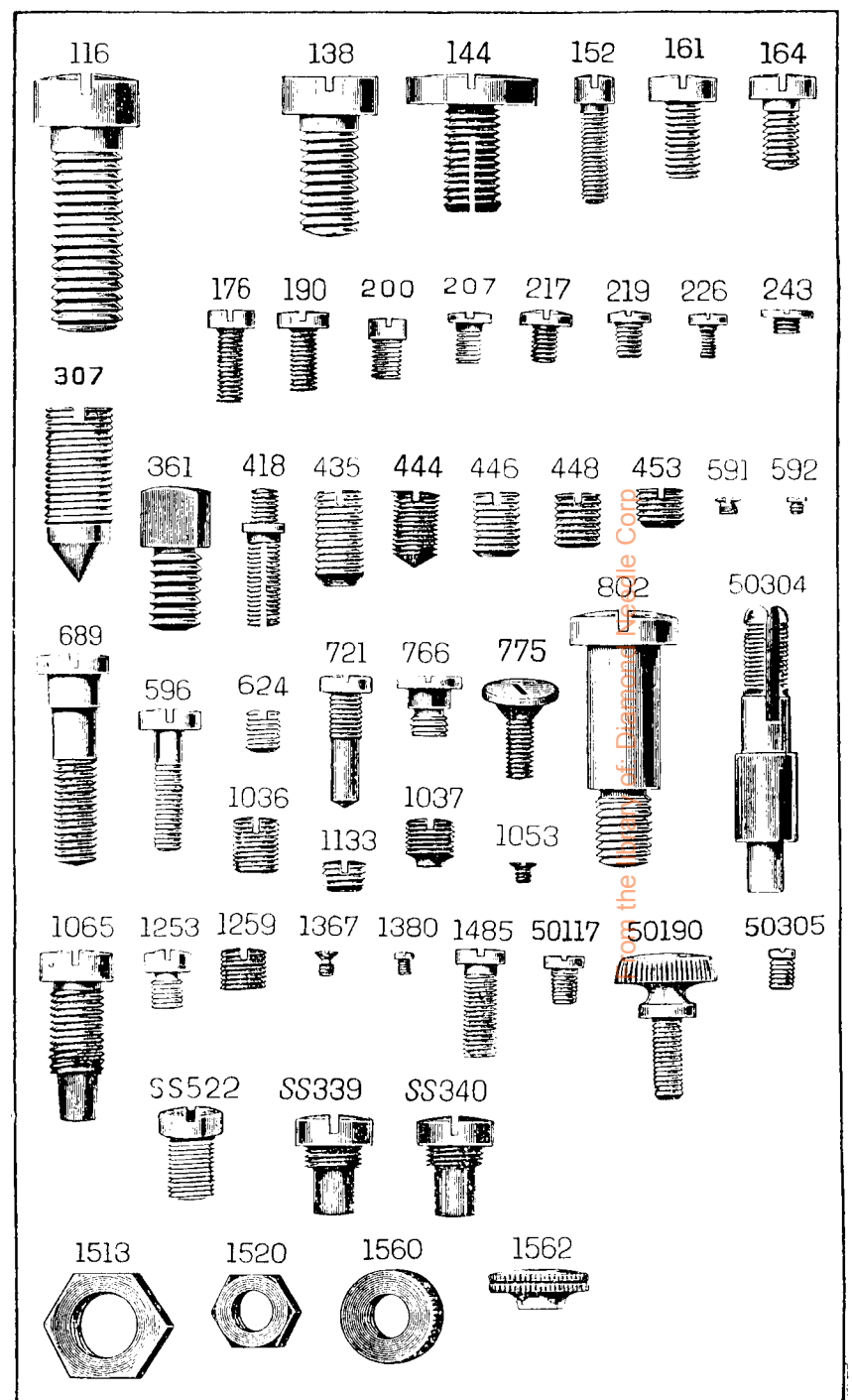
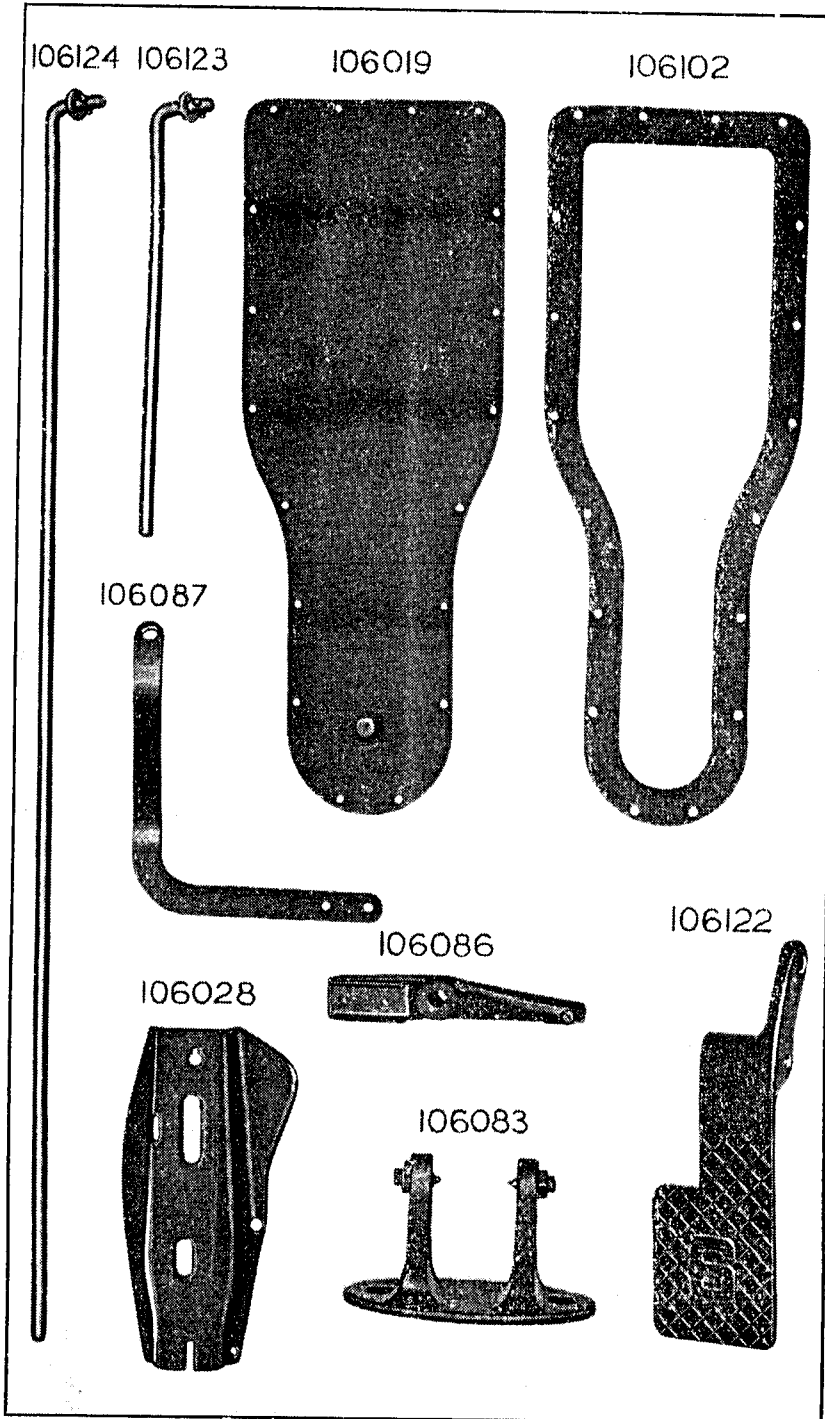
106111

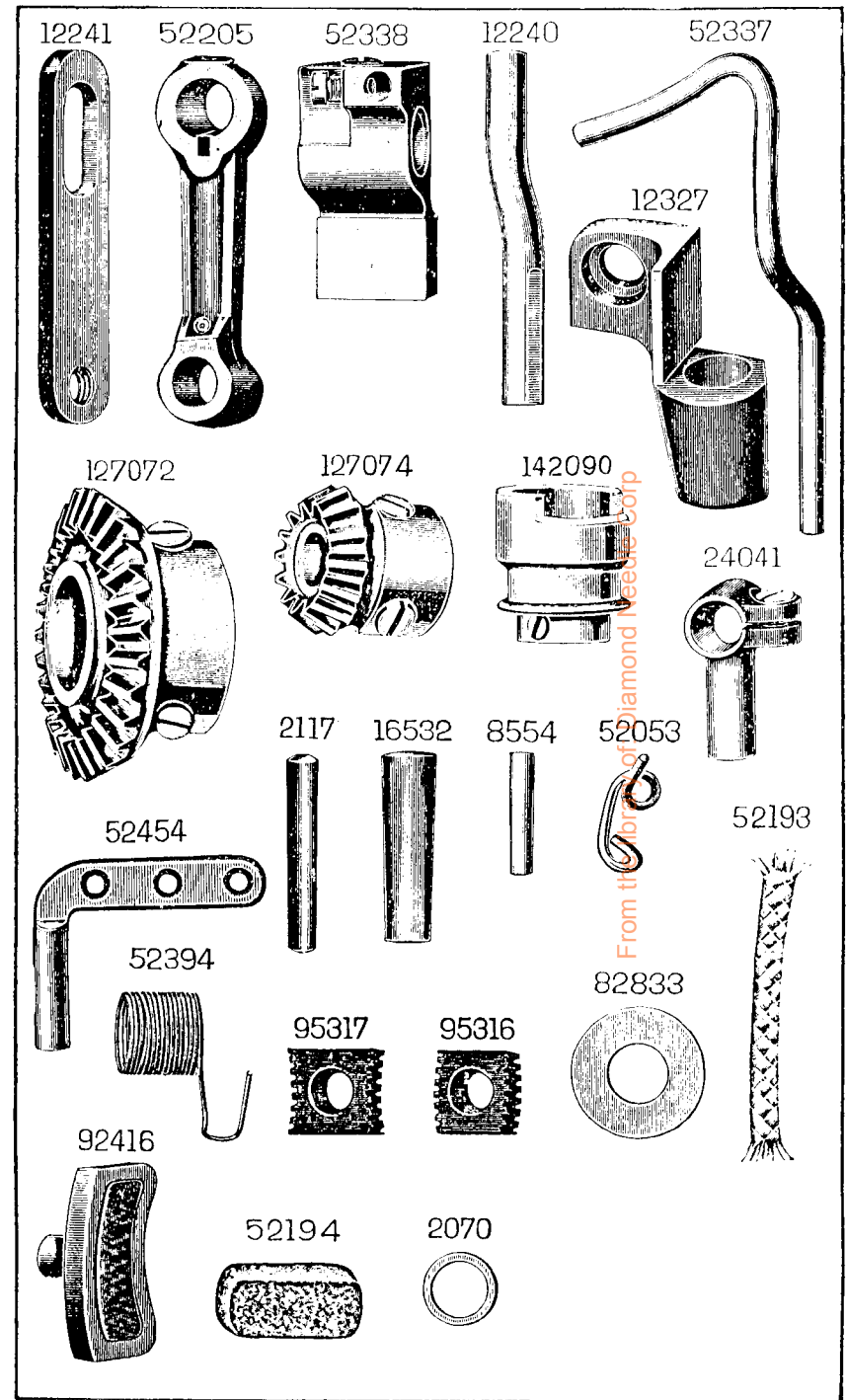
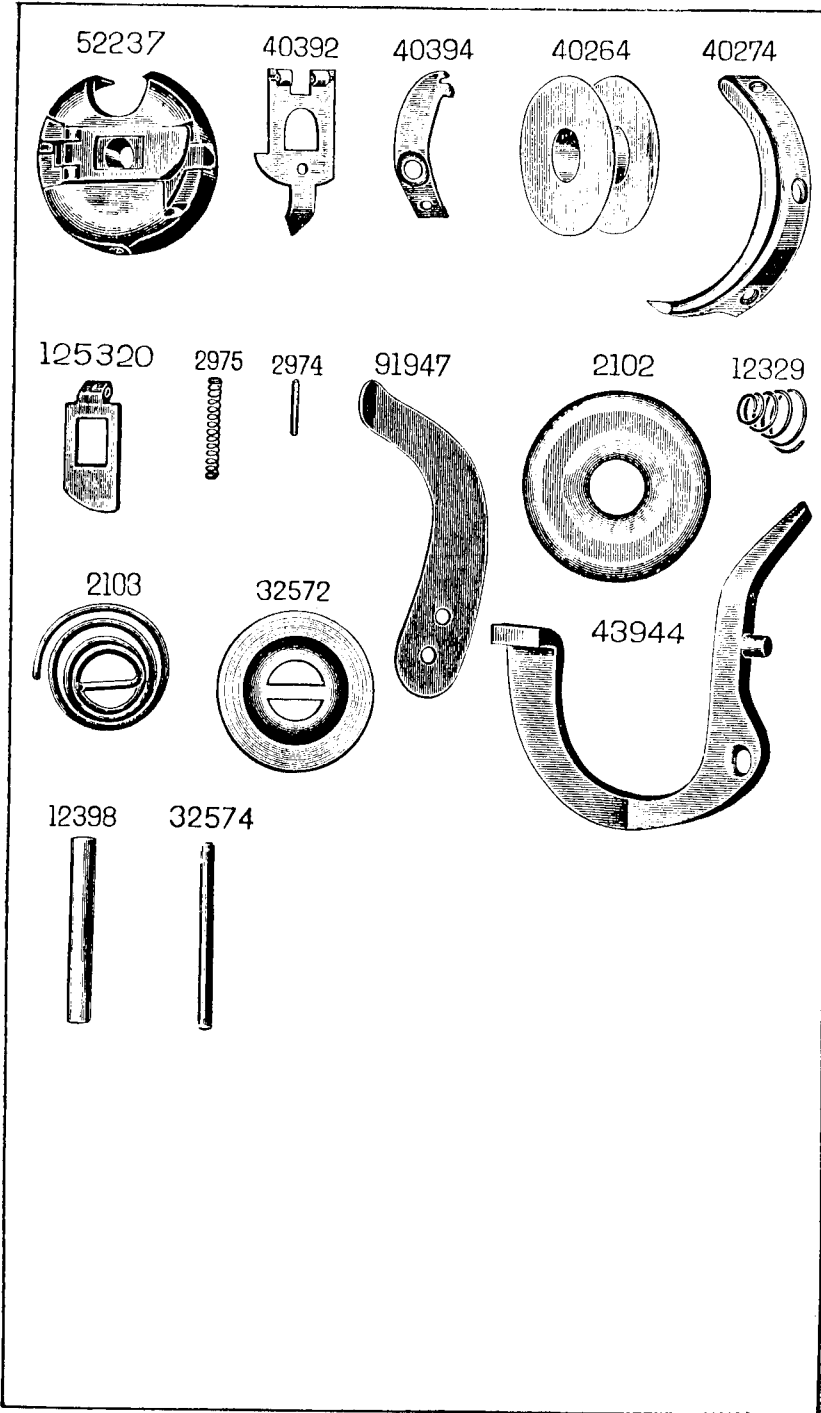


106112

268

from the library of: Diamond Needle Co.





ILLUSTRATED
LIST OF PARTS
FOR
MACHINE No. 172K1

INSTRUCTIONS FOR ORDERING

In ordering from this List, the code number with the part number MUST BE quoted exactly as they are shown in the first column.

A number always indicates the same part in whatever List it may appear, or for whatever machine.

The code numbers (where shown) indicate the style of finish, as follows:—

Code No.	Style of Finishes
801	Hardened, Polished, Nickel Plated and Buffed.
802	Polished, Nickel Plated and Buffed.
803	Hardened only.
804	Polished only.
805	Soft, not Polished.
806	Hardened and Polished.
807	Bright Rumbled and Nickel Plated.
808	Blued.
809	Nickel Plated only.
810	Hardened and Nickel Plated.
811	Brass Plated.
812	Oxidized.
813	Phosphate Coating Formed on Surface of Iron or Steel.
814	Cadmium Plated.
815	Copper Plated.
816	Zinc Plated.
817	Silver Plated.
818	Polished and Nickel Plated.
819	Black Oxide for Iron and Steel.
820	Black Nickel Plated only.
821	Chromium Plated.
822	Buffed and Chromium Plated.
823	Hardened, Polished, Buffed and Chromium Plated.
824	Hardened, Bright Rumbled and Nickel Plated.
825	Hardened, Bright Rumbled, Nickel Plated, Bright Rumbled and Chromium Plated.
826	Alumilite (Plain).
827	Alumilite (Dyed). Colour must be stated.
828	Polished, Nickel Plated and Chromium Plated.
829	Hardened, Polished, Nickel Plated and Chromium Plated.
830	Heat Treated for Toughness.
831	Heat Treated for Toughness and Polished.
832	Heat Treated for Toughness and Nickel Plated.
833	Heat Treated for Toughness and Black Oxide.
834	Heat Treated for Toughness, Polished, Nickel Plated, Buffed and Chromium Plated.
835	No. Cancelled, use Paint Code 701.
836	No. Cancelled, use Paint Code 709.
837	No. Cancelled, use Paint Code 720.
838	
839	Chrome Nickel, Satin Finish.
840	Hardened and Chrome Nickel, Satin Finish.
841	Hardened and Phosphate Coating Formed on Surface of Steel.
842	Hardened and Zinc Plated.
843	Hardened, Polished and Nickel Plated.
844	Hardened, Polished, Copper and Nickel Plated and Buffed.
845	Copper and Nickel Plated and Polished.
846	Copper and Nickel Plated only.
847	Hardened, Copper and Nickel Plated.
848	Copper and Brass Plated.

From the library of: Diamond Needle Corp

CONTENTS

	Page
Parts, Complete, for Machine No. 172K1	21
Accessories	27
Bobbin Winder	29
Foot Lifter	27
Spool Holder	28
Numerical List of Parts	31

[Continued over

INSTRUCTIONS FOR ORDERING Continued.

Code No.	Style of Finishes.
849	Copper Plated and Oxidized.
850	Hardened and Black Oxide for Iron and Steel.
851	Hardened, Polished, Nickel Plated, Buffed and Chromium Plated.
852	Polished, Nickel Plated, Buffed and Chromium Plated.
853	Hardened and Chromium Plated.
854	Polished and Chromium Plated.
855	Bright Rumbled, Nickel Plated, Bright Rumbled and Chromium Plated.
856	Nickel and Chromium Plated
857	Copper and Chromium Plated.
858	Heat Treated for Toughness, Nickel and Chromium Plated.
859	Heat Treated for Toughness, Copper Plated and Oxidized.
860	Nickel Plated and Buffed only.
861	Alumilite (dyed)—Black.
862	" (")—Light Almond Green.
863	" (")—Dark Brown.
864	" (")—Russet Brown.
865	" (")—Dark Green.
866	" (")—Medium Gold.
867	Nickel-Satin Finish.
868	Hardened and Nickel-Satin Finish.

Code No.	Paint Colours	Code No.	Paint Colours
701	Gloss Black.	734	Pale Red.
702	Dull Black.	735	Emerald Green.
703	Brown.	736	Green Metallic.
704	Grey Wrinkle.	737	Light Beige Satin Matte.
705	Beige Wrinkle.	738	Copper Tan.
706	Black Wrinkle.	739	Buff.
707	Light Green.	740	White.
708	Dark Green.	741	Dark Brown.
709	Dark Beige.	742	Plum.
710	Light Beige.	743	Birch Brown.
711	Oyster White.	744	Satin Black.
712		745	Gold-Buff.
713	Bright Cherry Red.	746	Blue-Grey.
714	Light Ivory.	747	Medium Gold.
715	Peacock Blue.	748	Sand.
716	Bright Yellow.	749	Khaki.
717	Slate Grey.	750	Flame Red.
718	Deep Brown.	751	Brite Green.
719		752	Sage Green.
720	Dark Brown.	753	Mist Green.
721	Aluminium.	754	Ice Green Metallic.
722	Dark Grey.	755	Dark Beige Metallic.
723	Light Grey Beige.	756	Shell Pink.
724	Rosewood Brown.	757	Surf Green.
725	Light Bisque.	753	Colonial Rose.
726	Light Fawn.	759	Cream.
727		760	Oak Brown.
728	Grey Metallic.	761	Deep Fawn.
729	Russet Brown.	762	Medium Green.
730	Pale Green.	763	Light Green Metallic.
731	Light Almond Green.	764	Light Gold.
732	Dusty Bisque.	765	Persimmon.
733	Chocolate Brown.	766	Mahogany Brown.

Parts marked with an asterisk (*) are furnished only when the repairs are made at Factory.

LIST OF PARTS COMPLETE

FOR

MACHINE No. 172K1

"Prix Seam" Lock Stitch, Gear Driven Rotating Hook, Link Take-up, Foot Lifter.

No.	Plate						
†*106001	---	Arm

NOTE. Due to the accuracy required for Gear alignment, Arm cannot be supplied separately and can only be sent out as a unit, Arm and Bed assembled.

16532	2790	Arm Dowel Pin (2)
797(813)	2784	" Plug Screw
116(805)	2788	" Screw
106002	2779	" Shaft
59703	2779	" " Bevel Gear with two 1036(803)
1036(803)	2788	" " " " Set Screw
106003	2779	" " Bushing (lower)
435(803)	2788	" " " (") Set Screw
106004	2779	" " Flanged Bushing (upper)
106005	"	" " " " 106004 with 52193 and 52198
52193	2790	" " " " (upper) Oil Pad (braided cotton)
52198	2785	" " " " (") " (felt)
106006	2779	" Side Cap
219(804)	2788	" " " Screw
†*106015		Bed

NOTE. Due to the accuracy required for Gear alignment, Bed cannot be supplied separately and can only be sent out as a unit, Arm and Bed assembled.

†106107		Bed Back Cover
106116	2779	" " " 106107 with 132548
132548	2779	" " " Oil Cup
106018	2779	" " " Gasket (Cork)
161(805)	2788	" " " Screw (2)
106019	2787	" Bottom Cover with 132594
106102	2787	" " " Gasket (Cork)
176(804)	2788	" " " Screw (18)
50617(804)	2784	" Oil Screw Plug
139125	2785	" " " Washer
106022	2779	" Shaft

† For Two Tone Machines the finish of these parts is Grey Metallic (Colour Code No. 728).

No.	Plate	
127072	2790	Bed Shaft Bevel Gear (back) with two 1036(803) ...
1036(803)	2788	" " " " (") Set Screw ...
59703	2779	" " " " (front) with two 1036(803) ...
1036(803)	2788	" " " " (") Set Screw ...
106023	2779	" " Bushing (front) ...
106024	---	" " " " (") 106023 with 52193 and 52194
52193	2790	" " " " (") Oil Pad (braided cotton) ...
52194	2790	" " " " (") " " (felt) ...
448(803)	2788	" " " " (") Set Screw ...
106025	2779	" " Flanged Bushing (back) ...
106026	---	" " " " (") 106025 with 52193 and 52198
52193	2790	" " " " (") Oil Pad (braided cotton)
52198	2785	" " " " (") " " (felt) ...
448(803)	2788	" " " " (") Set Screw ...
106115	2779	" " Spiral Gear with 453(803) ...
453(803)	2788	" " " " Set Screw ...
2117	2790	" " " " Pin ...
†106028	2787	Face Plate ...
176(804)	2788	" " Screw ...
52053	2790	" " Thread Guard (lower) ...
226(804)	2788	" " " " (") Screw ...
52170	2785	" " " " (upper) ...
226(804)	2788	" " " " (") Screw ...
50190(804)	2788	" " Thumb Screw ...
106029	---	Face Plate, complete, Nos. 52053, 52170, 106028 and two 226(804)
106030	2780	Feed Eccentric with two 448(803) ...
106031	2780	" " Connection ...
106032	2780	" " " Bushing ...
106033	2780	" " " Hinge Stud ...
152(803)	2788	" " " " " Clamping Screw ...
106034	2780	" " " " " Sleeve ...
106035	2780	" " Plate ...
190(804)	2788	" " " Screw ...
448(803)	2788	" " Set Screw ...
106036	2781	" Friction Wheel ...
92416	2790	" " " Brake with 92417 ...
92417	---	" " " " Pad (leather) ...
80370	2780	" " " " Spring ...
444(803)	2788	" " " " Adjusting Screw ...
106037	2780	" " " Driver ...

† For Two-Tone Machines the finish of these parts is Grey Metallic (Colour Code No. 728).

No.	Plate	
95316	2790	Feed Friction Wheel Driver Block (inside) ...
SS339(803)	2788	" " " " " (") Screw Stud ...
95317	2790	" " " " " (outside) ...
SS340(803)	2788	" " " " " (") Screw Stud ...
243(803)	2788	" " " " " (") " " End Screw
106038	2780	" " " " Connecting Stud ...
203(804)	2784	" " " " " " Screw (2) ...
106039	2780	" " " " " " Slide Bar ...
106099	2780	" " " " Spring ...
50166	2784	" " " " " Screw Eyelet ...
106121	2780	" " " " Support ...
203(804)	2784	" " " " " Screw ...
106040	---	Feed Friction Wheel Driver, complete, Nos. 243(803), SS339(803), SS340(803), 95316, 95317 and 106037 ...
106041	2780	Feed Friction Wheel Retaining Clutch with 106098 ...
106042	2780	" " " " " Spring ...
106098	2780	" " " " " Hook ...
203(804)	2784	" " " " " Screw ...
106043	2780	" " " " " Stud ...
106044	2781	" Lever ...
106045	2781	" " Connecting Link with 50623(803) ...
50623(803)	2784	" " " " " Hinge Screw ...
1399(803)	2784	" " Hinge Stud ...
51611	2784	" " " " Nut ...
106046	2781	" Regulating Handle ...
106047	2781	" " " " Stitch Indicator ...
203(804)	2784	" " " " " Screw ...
SS714(804)	2784	" " " " Thumb Screw ...
106048	2781	" Regulator ...
106049	2781	" " Link with 152(803) ...
SS647(803)	2784	" " " Hinge Screw ...
721(803)	2788	" " Stop Screw ...
106050	2781	Feeding Disc (back) with 1259(803) and 1439(803) ...
106051	2781	" " (") Oil Guard ...
213(804)	2784	" " (") " " Screw ...
1439(803)	2784	" " (") Position Screw ...
1259(803)	2788	" " (") Set Screw ...
106103	---	" " (front) ...
106104	2781	" " (") Arm ...
106054	2781	" " (") " Bracket ...
596(804)	2788	" " (") " Screw ...
36737	---	" " (") Ball ...
106105	2781	Feeding Disc (front, ball bearing) complete, Nos. SS660(803), NN114(809), 1766(809), 106103 and thirteen 36737 ...

From the library of: The National Needle Company

No.	Plate	
SS660(803)	2784	Feeding Disc (front) Screw Stud
NN114(809)	2784	" " (") " " Lock Nut
1766(809)	2784	" " (") " " Nut
106101	2779	Machine Pulley "V" belt groove (diam. of belt groove $2\frac{5}{32}$ " with two 448(803)
448(803)	2788	" " Set Screw
106008	2781	" " Shaft
†106009	2779	" " " Bearing Oil Cover
106010	2779	" " " " " " Gasket (cork)
190(813)	2788	" " " " " " Screw (3)
106011	2779	" " " Flanged Bushing (right)
106012	"	" " " " " (") 106011 with 52193 and 52194 (right) Oil Pad (braided cotton)
52193	2790	" " " " " (") Oil Pad (felt)
52194	2790	" " " " " (") Oil Pad (felt)
446(803)	2788	" " " " " (") Set Screw...
106013	2779	" " " " " (left)
435(803)	2788	" " " " " (") Set Screw
144(804)	2788	" " " " " Screw (right)
51382(804)	2784	" " " " " (left)
9842	2785	" " " " " (") Washer
106114	2779	" " " " " Spiral Gear with three SS522(803)
SS522(803)	2788	" " " " " Set Screw
106117	2785	" " " " " Screw Bushing (4)
Catalogue 2254		Needle, size 16 (16 × 231)
106056	2781	Needle Bar (hollow) with 140239(808)
106057	"	" " (") 106056 with 106059
106058	2781	" " " Bushing (lower)
1133(803)	2788	" " " (") Set Screw
106106	2781	" " " (upper)
1133(803)	2788	" " " (") Set Screw
50240(812)	2784	" " " (") Top Screw
52205	2790	" " " Connecting Link with 52207
52206	"	" " " " 52205 with 24041
775(805)	2788	" " " " " Cap Screw
52207	"	" " " " " Lubricating Pad (wood)
24041	2790	" " " " " Stud with 140706(830)
140706(830)	"	" " " " " Clamping Screw
127253	2781	" " " Crank with 1036(803), 1037(830) and 1065(803)
1065(803)	2788	" " " " " Position Screw
106059	2785	" " " " " Thread Guide
140239(808)	2784	" " " " " Set Screw

† For Two-Tone Machines the finish of these parts is Grey Metallic (Colour Code No. 728).

No.	Plate	
106131	2782	Oil Sight Gauge Background Disc
164132	2782	" " " " " Gasket
164133	2782	" " " " " Window
164132	2782	" " " " " Gasket
164134	2782	" " " " " Retainer
164132	2782	" " " " " " Gasket
1485(809)	2788	" " " " " " Screw (2)
106108	2781	Presser Bar (solid)
52338	2790	" " " Guide Bracket with 223(803) and 453(803)
453(803)	2788	" " " " " Set Screw
52016	2781	" " " " " Lifter
689(803)	2788	" " " " " Screw
1520(813)	2788	" " " " " Nut
12327	2790	" " " " " Lifting and Releasing Level Bracket
92485	2781	" " " " " Spring
2070	2790	" " " " " Washer (2)
SS661(809)	2784	Pressure Regulating Thumb Screw
144828	2782	Rotating Hook with three 1253(803)
144829	"	" " " 144828 with 270083 and four 1053(805)
144830	"	" " " 144829 with 40274, 143346 and three 1367(805)
144831	"	" " " 144829 with 40274 and three 1367(805) (for agents only)
144832	"	" " " 144830 with 52237
40264	2789	" " " Bobbin
52235	"	" " " " " Case
52236	"	" " " " " 52235 with 591(806) 1380(804) and 40394
40393	"	" " " " " Hinge, Nos. 2974, 40392 and 125320
143346	2872	" " " " " Holder
106065	2782	" " " " " " Position Bracket
50117(809)	2788	" " " " " " " " Screw (2)
40392	2789	" " " " " " Latch
125320	2789	" " " " " " Lever
2974	2789	" " " " " " Fulcrum Pin
2975	2789	" " " " " " Spring
592(805)	2788	" " " " " " Stop Screw
591(806)	2788	" " " " " " Tension Regulating Screw
40394	2789	" " " " " " Spring
1380(804)	2788	" " " " " " " " Screw
52237	2789	Rotating Hook Bobbin Case, complete, Nos. 592(805), 2975, 40393 and 52236

No.	Plate	
143345	—	Rotating Hook Bobbin Case 52237 with 143346 (<i>for agents only</i>)
106061	2782	" " Cover
106062	—	" " " 106061 with 91947, 106063 and two 337(804)
82(803)	2784	" " " Hinge Screw
1695	2784	" " " " " Nut
106063	2782	" " " Latch Spring
106064	2783	" " " " " Retaining Pin
91947	2789	" " " Thread Retainer
337(804)	2784	" " " " " Screw
40274	2789	" " Section
1367(805)	2788	" " " Screw
1253(803)	2788	" " Set Screw
106066	2782	" " Shaft
127074	2790	" " " Bevel Gear with two 1259(803)
1259(803)	2788	" " " " " Set Screw
106067	2782	" " " " " Washer
106068	2782	" " " " " (adjustable) (2)
190(804)	2788	" " " " " (") Screw (2)
270083	2782	" " Thread Guard
1053(805)	2788	" " " " Screw
52337	2790	Slack Thread Regulator
223(803)	2784	" " " Set Screw
2102	2789	Tension Disc
1560(803)	2788	" Regulating Thumb Nut
32572	2789	" Releasing Disc
43944	2789	" " Lever
12398	2789	" " " Hinge Pin
12329	2789	" " " Spring
32574	2789	" " Pin
2103	2789	" Spring
50304(803)	2788	" Stud
50305(803)	2788	Tension Stud Set Screw
52397	—	Tension, complete, Nos. 1560(803), 2103, 32572, 32574, 50304(803), 52394, 142090 and two 2102
52454	2790	Thread Retainer
624(803)	2788	" " Set Screw
106094	—	Thread Take-up complete, Nos. 52217, 106093 and 166035
52216	2783	" " Crank
52217	—	" " " 52216 with 775(805) and 52206

No.	Plate	
1037(830)	2788	Thread Take-up Crank Position Screw
1036(803)	2788	" " " Set Screw
52022	2783	" " Lever with 52130
52024	2783	" " " Link
106093	2783	" " " " Hinge Pin
435(803)	2788	" " " " " Set Screw
52130	—	" " " Thread Eyelet Bushing
166035	2783	Thread Take up Lever, complete, Nos. 52022 and 52024
52394	2790	" " Spring
142090	2790	" " " Regulator with 50305(803)
448(803)	2788	" " " " Set Screw
106069	2783	Throat Plate
50117(809)	2788	" " Screw (2)
106070	2783	" " Holder with 106064
SS518(809)	2784	" " " Screw (2)
†106073	2783	" " " Support Bracket
146(804)	—	" " " " " Screw
106071	2783	" " " Position Plate
106072	2783	" " " " " Pin (2)

ACCESSORIES

No.	Plate	
40264	2789	Bobbin (2)
86720	377	Oiler
161294	377	Screw Driver (large)
161295	377	" " (small)
86405	377	Tweezers
Catalogue	—	Needles, three each sizes 11 and 16 (16×231)
2254	—	Wood Screws 1½" No. 14 R.H. (4)

FOOT LIFTER PARTS

No.	Plate	
106122	2787	Foot Pedal
106083	2787	" " Bracket with two each 307(803) and 1513(809)
106125	—	Foot Pedal and Bracket, complete, Nos. 106083, 106122 and two wood screws 1½" No. 14

† For Two-Tone Machines the finish of these parts is Grey Metallic (Colour Code No. 728).

FOOT LIFTER PARTS

No.	Plate	
106123	2787	Foot Pedal Pitman Rod (upper) with 8554 and 82833 ...
82833	2790	" " " " (") Washer ...
8554	2790	" " " " (") " Pin ...
106124	2787	" " " " (lower) with 8554 and 82833 ...
82833	2790	" " " " (") Washer ...
8554	2790	" " " " (") " Pin ...
89190	2785	" " " " Clamp with 361(803) ...
361(803)	2788	" " " " " Set Screw ...
106126	—	Foot Pedal Pitman (double rod), complete, Nos. 89190, 106123 and 106124 ...
307(803)	2788	Foot Pedal Screw Centre ...
1513(809)	2788	" " " " Nut ...
106086	2787	Lifting Lever with 448(803) ...
106087	2787	" " Extension ...
164(804)	2788	" " " Screw ...
802(804)	2788	" " Hinge Screw ...
12240	2790	" " Pin ...
448(803)	2788	" " " Set Screw ...
12241	2790	" " Link ...
766(804)	2788	" " " Hinge Screw ...
106127	—	Foot Lifter, complete, Nos. 766(804), 802(804), 12240, 12241, 106086, 106087, 106125, 106126 and two 164(804)

SPOOL HOLDER

No.	Plate	
106109	2786	Spool Cup with 106112 ...
106110	2785	" " Spring ...
217(804)	2788	" " " Screw ...
106111	2786	" Holder Bracket with 268(804) ...
138(805)	2788	" " " Screw ...
132594	—	" " " Bushing for 106019 ...
106112	2786	" Pin ...
268(804)	2784	" " Thumb Screw ...
106113	—	Spool Holder, complete, Nos. 138(805), 217(804) and 106109 to 106111

BOBBIN WINDER

(SWINGING AUTOMATIC, RIGHT HAND)

No.	Plate	
41339	2786	Base ...
41340	2786	Frame ...
1429(804)	2786	" Hinge Screw ...
41341	2786	" Spring ...
207(804)	2788	" " Screw ...
106118	2786	Pulley with 200(806) ...
200(806)	2788	" Set Screw ...
41343	2786	Spindle ...
27306	2786	Spool Pin ...
11241	2786	" " Washer (cloth) ...
27307	2786	" Stand ...
27308	—	Spool Stand, complete, Nos. 418(805), 1562(809), 2106, 10141, 11241, 27306, 27307, two each 2455 and wood screws 1" No. 10 ...
41344	2785	Stop Latch ...
41345	2785	" " Finger ...
152(806)	2788	" " " Screw ...
1430(804)	2785	" " Hinge Screw ...
1550(808)	2785	" " " " Nut ...
106119	2785	" " Lever ...
106120	2785	" " " Spring ...
SS361(804)	2785	" " " " Hinge Screw ...
2455	2785	Tension Disc ...
1562(809)	2788	" Regulating Thumb Nut ...
418(805)	2788	" Screw Stud ...
10141	2785	" Spring ...
2106	2785	" Thread Guide ...
106128	—	Bobbin Winder Nos. 152(806), 207(804), SS361(804), 1429(804), 1550(808), 41339 to 41341, 41343 to 41345, 106118 to 106120 and two 1430(804) ...
106129	—	Bobbin Winder 106128 with two each 9331 and wood screws 1" No. 10 R.H.B. ...
106130	—	Bobbin Winder, complete, Nos. 27308 and 106129 " " Screw (wood) 1" No. 10 R.H.B. ...
9331	2785	" " " Washer ...

NUMERICAL LIST OF PARTS

No.	Plate	
82(803)	2784	Rotating Hook Cover Hinge Screw
NN114(809)	2784	Feeding Disc (front) Screw Stud Lock Nut for 106105
116(805)	2788	Arm Screw
138(805)	2788	Spool Holder Screw for 106113
144(804)	2788	Machine Pulley Shaft Screw (right)
146(804)		Throat Plate Holder Support Bracket Screw ...
152(803)	2788	Feed Eccentric Connection Hinge Stud Clamping Screw for 106049
152(806)	2788	Bobbin Winder Stop Latch Finger Screw for 106128
161(805)	2788	Bed Back Cover Screw
164(804)	2788	Foot Lifter Lifting Lever Extension Screw for 106127
176(804)	2788	Bed Bottom Cover Screw
176(804)	2788	Face Plate Screw
190(804)	2788	Feed Eccentric Plate Screw
190(804)	2788	Rotating Hook Shaft Bevel Gear Washer (adjustable) Screw
190(813)	2788	Machine Pulley Shaft Peering Oil Cover Screw ...
200(806)	2788	Bobbin Winder Pulley Set Screw for 106118 ...
203(804)	2784	Feed Friction Wheel Driver Connecting Stud Screw
203(804)	2784	Feed Friction Wheel Driver Support Screw ...
203(804)	2784	Feed Friction Wheel Retaining Clutch Spring Screw
203(804)	2784	Feed Regulating Handle Stitch Indicator Screw ...
207(804)	2788	Bobbin Winder Frame Spring Screw for 106128 ...
213(804)	2784	Feeding Disc (back) Oil Guard Screw
217(804)	2788	Spool Holder Spool Cup Spring Screw for 106113 ...
219(804)	2788	Arm Side Cap Screw
223(803)	2784	Slack Thread Regulator Set Screw for 52338 ...
226(804)	2788	Face Plate Thread Guard (lower) Screw for 106029
226(804)	2788	Face Plate Thread Guard (upper) Screw for 106029
243(803)	2788	Feed Friction Wheel Driver Block (outside) Screw Stud End Screw for 106040
268(804)	2784	Spool Holder Spool Pin Thumb Screw for 106111 ...
307(803)	2788	Foot Lifter Foot Pedal Screw Centre for 106083 ...
337(804)	2784	Rotating Hook Cover Thread Retainer Screw for 106062
SS339(803)	2788	Feed Friction Wheel Driver Block (inside) Screw Stud for 106040
SS340(803)	2788	Feed Friction Wheel Driver Block (outside) Screw Stud for 106040
361(803)	2788	Foot Lifter Foot Pedal Pitman Rod Clamp Set Screw for 89190
SS361(804)	2785	Bobbin Winder Stop Latch Lever Spring Hinge Screw for 106128
418(805)	2788	Bobbin Winder Tension Screw Stud for 27308 ...

No.	Plate	
435(803)	2788	Arm Shaft Bushing (lower) Set Screw
435(803)	2788	Machine Pulley Shaft Flanged Bushing (left) Set Screw
435(803)	2788	Thread Take-up Lever Link Hinge Pin Set Screw
444(803)	2788	Feed Friction Wheel Brake Spring Adjusting Screw
446(803)	2788	Machine Pulley Shaft Flanged Bushing (right) Set Screw
448(803)	2788	Bed Shaft Bushing (front) Set Screw
448(803)	2788	Bed Shaft Flanged Bushing (back) Set Screw
448(803)	2788	Feed Eccentric Set Screw for 106030
448(803)	2788	Foot Lifter Lifting Lever Pin Set Screw for 106086
448(803)	2788	Machine Pulley Set Screw for 106101
448(803)	2788	Thread Take-up Spring Regulator Set Screw
453(803)	2788	Bed Shaft Spiral Gear Set Screw for 106115
453(803)	2788	Presser Bar Guide Bracket Set Screw for 52338
SS518(809)	2784	Throat Plate Holder Screw
SS522(803)	2788	Machine Pulley Shaft Spiral Gear Set Screw for 106114
591(806)	2788	Rotating Hook Bobbin Case Tension Regulating Screw for 52236
592(805)	2788	Rotating Hook Bobbin Case Latch Stop Screw for 52237
596(804)	2788	Feeding Disc (front) Arm Bracket Screw
624(803)	2788	Thread Retainer Set Screw
SS647(803)	2784	Feed Regulator Link Hinge Screw
SS660(803)	2784	Feeding Disc (front) Screw Stud for 106105
SS661(809)	2784	Pressure Regulating Thumb Screw
689(803)	2788	Presser Bar Lifter Screw
SS714(804)	2784	Feed Regulating Handle Thumb Screw
721(803)	2788	Feed Regulator Stop Screw
766(804)	2788	Foot Lifter Lifting Lever Link Hinge Screw for 106127
775(805)	2788	Needle Bar Connecting Link Cap Screw for 52217
797(813)	2784	Arm Plug Screw
802(804)	2788	Foot Lifter Lifting Lever Hinge Screw for 106127
1036(803)	2788	Arm Shaft Bevel Gear Set Screw for 59703
1036(803)	2788	Bed Shaft Bevel Gear (back) Set Screw for 127072
1036(803)	2788	Bed Shaft Bevel Gear (front) Set Screw for 59703
1036(803)	2788	Thread Take-up Crank Set Screw for 127253
1037(830)	2788	Thread Take-up Crank Position Screw for 127253
1053(805)	2788	Rotating Hook Thread Guard Screw for 144829
1065(803)	2788	Needle Bar Crank Position Screw for 127253
1133(803)	2788	Needle Bar Bushing (lower) Set Screw
1133(803)	2788	Needle Bar Bushing (upper) Set Screw
1253(803)	2788	Rotating Hook Set Screw for 144828
1259(803)	2788	Feeding Disc (back) Set Screw for 106050
1259(803)	2788	Rotating Hook Shaft Bevel Gear Set Screw for 127074

No.	Plate	
1367(805)	2788	Rotating Hook Section Screw for 144830 and 144831
1380(804)	2788	Rotating Hook Bobbin Case Tension Spring Screw for 52236
1399(803)	2784	Feed Lever Hinge Stud
1429(804)	2786	Bobbin Winder Frame Hinge Screw for 106128
1430(804)	2785	Bobbin Winder Stop Latch Hinge Screw for 106128
1439(803)	2784	Feeding Disc (back) Position Screw for 106050
1485(809)	2788	Oil Sight Gauge Window Retainer Screw
1513(809)	2788	Foot Lifter Foot Pedal Screw Centre Nut for 106083
1520(813)	2788	Presser Bar Lifter Screw Nut
1550(808)	2785	Bobbin Winder Stop Latch Hinge Screw Nut for 106128
1560(803)	2788	Tension Regulating Thumb Nut for 52397
1562(809)	2788	Bobbin Winder Tension Regulating Thumb Nut for 27308
1695	2784	Rotating Hook Cover Hinge Screw Nut
1766(809)	2784	Feeding Disc (front) Screw Stud Nut for 106105
2070	2790	Presser Bar Spring Washer
2102	2789	Tension Disc for 52397
2103	2789	Tension Spring for 52397
2106	2785	Bobbin Winder Tension Thread Guide for 27308
2117	2790	Bed Shaft Spiral Gear Pin
2455	2785	Bobbin Winder Tension Disc for 27308
2974	2789	Rotating Hook Bobbin Case Latch Lever Fulcrum Pin for 40393
2975	2789	Rotating Hook Bobbin Case Latch Spring for 52237
8554	2790	Foot Lifter Foot Pedal Pitman Rod (upper) Washer Pin for 106123
8554	2790	Foot Lifter Foot Pedal Pitman Rod (lower) Washer Pin for 106124
9331	2785	Bobbin Winder Screw Washer for 106129
9842	2785	Machine Pulley Shaft Screw (left) Washer
10141	2785	Bobbin Winder Tension Spring for 27308
11241	2786	Bobbin Winder Spool Pin Washer (cloth) for 27308
12240	2790	Foot Lifter Lifting Lever Pin for 106127
12241	2790	Foot Lifter Lifting Lever Link for 106127
12327	2790	Presser Bar Lifting and Releasing Lever Bracket
12329	2789	Tension Releasing Lever Spring
12398	2789	Tension Releasing Lever Hinge Pin
16532	2790	Arm Dowel Pin
24041	2790	Needle Bar Connecting Stud with 140706(830) for 52206
27306	2786	Bobbin Winder Spool Pin for 27308
27307	2786	Bobbin Winder Spool Stand for 27308
27308	---	Bobbin Winder Spool Stand, complete, Nos. 418(805), 1562(809), 2106, 10141, 11241, 27306, 27307, two each 2455 and wood screws 1" No. 10, for 106130

No.	Plate	
32572	2789	Tension Releasing Disc for 52397
32574	2789	Tension Releasing Pin for 52397... ..
36737	---	Feeding Disc (front) Ball for 106105
40264	2789	Rotating Hook Bobbin... ..
40274	2789	Rotating Hook Section for 144830 and 144831
40392	2789	Rotating Hook Bobbin Case Latch for 40393
40393	---	Rotating Hook Bobbin Case Hinge, Nos. 2974, 40392 and 125320, for 52237
40394	2789	Rotating Hook Bobbin Case Tension Spring for 52236
41339	2786	Bobbin Winder Base for 106128
41340	2786	Bobbin Winder Frame for 106128
41341	2786	Bobbin Winder Frame Spring for 106128
41343	2786	Bobbin Winder Spindle for 106128
41344	2785	Bobbin Winder Stop Latch for 106128
41345	2785	Bobbin Winder Stop Latch Finger for 106128
43944	2789	Tension Releasing Lever
50117(809)	2788	Rotating Hook Bobbin Case Holder Position Bracket Screw
50117(809)	2788	Throat Plate Screw
50166	2784	Feed Friction Wheel Driver Spring Screw Eyelet
50190(804)	2788	Face Plate Thumb Screw
50240(812)	2784	Needle Bar Bushing (upper) Top Screw
50304(803)	2788	Tension Stud for 52397
50305(803)	2788	Tension Stud Set Screw for 142090
50617(804)	2784	Bed Oil Screw Plug
50623(803)	2784	Feed Lever Connecting Link Hinge Screw for 106045
51382(804)	2784	Machine Pulley Shaft Screw (left)
51611	2784	Feed Lever Hinge Stud Nut
52016	2781	Presser Bar Lifter
52022	2783	Thread Take-up Lever with 52130 for 166035
52024	2783	Thread Take-up Lever Link for 166035
52053	2790	Face Plate Thread Guard (lower) for 106029
52130	---	Thread Take-up Lever Thread Eyelet Bushing for 52022
52170	2785	Face Plate Thread Guard (upper) for 106029
52193	2790	Arm Shaft Flanged Bushing (upper) Oil Pad (braided cotton) for 106005
52193	2790	Bed Shaft Bushing (front) Oil Pad (braided cotton) for 106024
52193	2790	Bed Shaft Flanged Bushing (back) Oil Pad (braided cotton) for 106026
52193	2790	Machine Pulley Shaft Flanged Bushing (right) Oil Pad (braided cotton) for 106012
52194	2790	Bed Shaft Bushing (front) Oil Pad (felt) for 106024
52194	2790	Machine Pulley Shaft Flanged Bushing (right) Oil Pad (felt) for 106012

No.	Plate	
52198	2785	Arm Shaft Flanged Bushing (upper) Oil Pad (felt) for 106005
52198	2785	Bed Shaft Flanged Bushing (back) Oil Pad (felt) for 106026
52205	2790	Needle Bar Connecting Link with 52207 for 52206
52206	---	Needle Bar Connecting Link 52205 with 24041 for 52217
52207	---	Needle Bar Connecting Link Lubricating Pad (wood) for 52205
52216	2783	Thread Take-up Crank for 52217
52217	---	Thread Take-up Crank 52216 with 775(805) and 52206 for 106094
52235	---	Rotating Hook Bobbin Case for 52236
52236	---	Rotating Hook Bobbin Case 52235 with 591(806), 1380(804) and 40394 for 52237
52237	2789	Rotating Hook Bobbin Case, complete, Nos. 592(805), 2975, 40393 and 52236 for 143345 and 144832
52337	2790	Slack Thread Regulator
52338	2790	Presser Bar Guide Bracket with 223(803) and 453(803)
52394	2790	Thread Take-up Spring for 52397
52397	---	Tension, complete, Nos. 1560(803), 2103, 32572, 32574, 50304(803), 52394, 142090 and two 2102
52454	2790	Thread Retainer
59703	2779	Arm Shaft Bevel Gear with two 1036(803)
59703	2779	Bed Shaft Bevel Gear (front) with two 1036(803)
80370	2780	Feed Friction Wheel Brake Spring
82833	2790	Foot Lifter Foot Pedal Pitman Rod (upper) Washer for 106123
82833	2790	Foot Lifter Foot Pedal Pitman Rod (lower) Washer for 106124
86405	377	Tweezers (Accessories)
86720	377	Oiler... .. (Accessories)
89190	2785	Foot Lifter Foot Pedal Pitman Rod Clamp with 361(803) for 106126
91947	2789	Rotating Hook Cover Thread Retainer for 106062
92416	2790	Feed Friction Wheel Brake with 92417
92417	---	Feed Friction Wheel Brake Pad (leather) for 92416
92485	2781	Presser Bar Spring
95316	2790	Feed Friction Wheel Driver Block (inside) for 106040
95317	2790	Feed Friction Wheel Driver Block (outside) for 106040
†*106001	---	Arm

NOTE.—Due to the accuracy required for Gear alignment, Arm cannot be supplied separately and can only be sent out as a unit, Arm and Bed assembled.

† For Two-Tone Machines the finish of these parts is Grey Metallic (Colour Code No. 728).

No.	Plate	
106002	2779	Arm Shaft
106003	2779	Arm Shaft Bushing (lower)
106004	2779	Arm Shaft Flanged Bushing (upper) for 106005
106005	--	Arm Shaft Flanged Bushing 106004 with 52193 and 52198
106006	2779	Arm Side Cap... ..
106008	2781	Machine Pulley Shaft
†106009	2779	Machine Pulley Shaft Bearing Oil Cover
106010	2779	Machine Pulley Shaft Bearing Oil Cover Gasket (cork)
106011	2779	Machine Pulley Shaft Flanged Bushing (right) for 106012
106012	--	Machine Pulley Shaft Flanged Bushing (right) 106011 with 52193 and 52194
106013	2779	Machine Pulley Shaft Flanged Bushing (left)
†*106015	--	Bed

NOTE.—Due to the accuracy required for Gear alignment, Bed cannot be supplied separately and can only be sent out as a unit, Arm and Bed assembled.

106018	2779	Bed Back Cover Gasket (cork)
106019	2787	Bed Bottom Cover with 132594
106022	2779	Bed Shaft
106023	2779	Bed Shaft Bushing (front) for 106024
106024	--	Bed Shaft Bushing (front) 106023 with 52193 and 52194
106025	2779	Bed Shaft Flanged Bushing (back) for 106026
106026	--	Bed Shaft Flanged Bushing (back) 106025 with 52193 and 52198
†106028	2787	Face Plate for 106029
106029	--	Face Plate, complete, Nos. 52053, 52170, 106028 and two 226(804)
106030	2780	Feed Eccentric with two 448(803)
106031	2780	Feed Eccentric Connection
106032	2780	Feed Eccentric Connection Bushing
106033	2780	Feed Eccentric Connection Hinge Stud
106034	2780	Feed Eccentric Connection Hinge Stud Sleeve
106035	2780	Feed Eccentric Plate
106036	2781	Feed Friction Wheel
106037	2780	Feed Friction Wheel Driver for 106040
106038	2780	Feed Friction Wheel Driver Connecting Stud
106039	2780	Feed Friction Wheel Driver Connecting Stud Slide Bar
106040	--	Feed Friction Wheel Driver, complete, Nos. 243(803), S5339(803), S5340(803), 95316, 95317 and 106037

† For Two-Tone Machines the finish of these parts is Grey Metallic (Colour Code No. 728).

No.	Plate	
106041	2780	Feed Friction Wheel Retaining Clutch with 106098
106042	2780	Feed Friction Wheel Retaining Clutch Spring
106043	2780	Feed Friction Wheel Retaining Clutch Stud
106044	2781	Feed Lever
106045	2781	Feed Lever Connecting Link with 50623(803)
106046	2781	Feed Regulating Handle
106047	2781	Feed Regulating Handle Stitch Indicator
106048	2781	Feed Regulator
106049	2781	Feed Regulator Link with 152(803)
106050	2781	Feeding Disc (back) with 1259(803) and 1439(803)
106051	2781	Feeding Disc (back) Oil Guard
106054	2781	Feeding Disc (front) Arm Bracket
106056	2781	Needle Bar (hollow) with 140239(808) for 106057
106057	--	Needle Bar (hollow) 106056 with 106059
106058	2781	Needle Bar Bushing (lower)
106059	2785	Needle Bar Thread Guide for 106057
106061	2782	Rotating Hook Cover for 106062
106062	--	Rotating Hook Cover 106061 with 91947, 106063 and two 337(804)
106063	2782	Rotating Hook Cover Latch Spring for 106062
106064	2783	Rotating Hook Cover Latch Spring Retaining Pin for 106070
106065	2782	Rotating Hook Bobbin Case Holder Position Bracket
106066	2782	Rotating Hook Shaft
106067	2782	Rotating Hook Shaft Bevel Gear Washer
106068	2782	Rotating Hook Shaft Bevel Gear Washer (adjustable)
106069	2783	Throat Plate
106070	2783	Throat Plate Holder with 106064
106071	2783	Throat Plate Holder Position Plate
106072	2783	Throat Plate Holder Position Plate Pin
†106073	2783	Throat Plate Holder Support Bracket
106083	2787	Foot Lifter Foot Pedal Bracket with two each 307(803) and 1513(809) for 106125
106086	2787	Foot Lifter Lifting Lever with 448(803) for 106127
106087	2787	Foot Lifter Lifting Lever Extension for 106127
106093	2783	Thread Take-up Lever Link Hinge Pin for 106094
106094	--	Thread Take-up, complete, Nos. 52217, 106093 and 166035
106098	2780	Feed Friction Wheel Retaining Clutch Spring Hook for 106041
106099	2780	Feed Friction Wheel Driver Spring
106101	2779	Machine Pulley, "V" belt groove (diam. of belt groove $2\frac{5}{32}$ ") with two 448(803)
106102	2787	Bed Bottom Cover Gasket (cork)

† For Two-Tone Machines the finish of these parts is Grey Metallic (Colour Code No. 728).

No.	Plate	
106103	—	Feeding Disc (front) for 106105
106104	2781	Feeding Disc (front) Arm
106105	2781	Feeding Disc (front, ball bearing), complete, Nos. SS660(803), NN114(809), 1766(809), 106103 and thirteen 36737
106106	2781	Needle Bar Bushing (upper)
†106107	—	Bed Back Cover for 106116
106108	2781	Presser Bar (solid)
106109	2786	Spool Holder Spool Cup with 106112 for 106113
106110	2785	Spool Holder Spool Cup Spring for 106113
106111	2786	Spool Holder Bracket with 268(804) for 106113
106112	2786	Spool Holder Spool Pin for 106109
106113	—	Spool Holder, complete, Nos. 138(805), 217(804) and 106109 to 106111
106114	2779	Machine Pulley Shaft Spiral Gear with three SS522(803)
106115	2779	Bed Shaft Spiral Gear with 453(803)
106116	2779	Bed Back Cover 106107 with 132548
106117	2785	Machine Screw Bushing
106118	2786	Bobbin Winder Pulley with 200(806) for 106128
106119	2785	Bobbin Winder Stop Latch Lever for 106128
106120	2785	Bobbin Winder Stop Latch Lever Spring for 106128
106121	2780	Feed Friction Wheel Driver Support
106122	2787	Foot Lifter Foot Pedal for 106125
106123	2787	Foot Lifter Foot Pedal Pitman Rod (upper) with 8554 and 82833 for 106126
106124	2787	Foot Lifter Foot Pedal Pitman Rod (lower) with 8554 and 82833 for 106126
106125	—	Foot Lifter Foot Pedal and Bracket, complete, Nos. 106083, 106122 and two wood screws 1½" No. 14 for 106127
106126	—	Foot Lifter Foot Pedal Pitman (double rod), complete, Nos. 89190, 106123 and 106124 for 106127
106127	—	Foot Lifter, complete, Nos. 766(804), 802(804), 12240, 12241, 106086, 106087, 106125, 106126 and two 164(804)
106128	—	Bobbin Winder Nos. 152(806), 207(804), SS361(804), 1429(804), 1550(808), 41339 to 41341, 41343 to 41345, 106118 to 106120 and two 1130(804), for 106129
106129	—	Bobbin Winder 106128 with two each 9331 and wood screws 1" No. 10, R.H.B., for 106130
106130	—	Bobbin Winder, complete, Nos. 27308 and 106129

† For Two-Tone Machines the finish of these parts is Grey Metallic (Colour Code No. 728).

No.	Plate	
106131	2782	Oil Sight Gauge Background Disc
125320	2789	Rotating Hook Bobbin Case Latch Lever for 40393
127072	2790	Bed Shaft Bevel Gear (back) with two 1036(803)
127074	2790	Rotating Hook Shaft Bevel Gear with two 1259(803)
127253	2781	Needle Bar Crank with 1036(803), 1037(830) and 1065(803)
132548	2779	Bed Back Cover Oil Cup for 106116
132594	—	Spool Holder Screw Bushing for 106019
139125	2785	Bed Oil Screw Plug Washer
140239(808)	2784	Needle Set Screw for 106056
140706(830)	—	Needle Bar Connecting Stud Clamping Screw for 24041
142090	2790	Thread Take-up Spring Regulator with 50305(803) for 106094
143345	—	Rotating Hook Bobbin Case 52237 with 143346 (for agents only)
143345	2782	Rotating Hook Bobbin Case Holder for 143345 and 144830
144828	2782	Rotating Hook with three 1253(830) for 144829
144829	—	Rotating Hook 144828 with 270083 and four 1053(805) for 144830 and 144831
144830	—	Rotating Hook 144829 with 40274, 143346 and three 1367(805) for 144832
144831	—	Rotating Hook 144829 with 40274 and three 1367(805) (for agents only)
144832	—	Rotating Hook 144830 with 52237
161294	377	Screw Driver (large) (Accessories)
161295	377	Screw Driver (small) (Accessories)
164132	2782	Oil Sight Gauge Background Disc Gasket
164132	2782	Oil Sight Gauge Window Gasket
164132	2782	Oil Sight Gauge Window Retainer Gasket
164133	2782	Oil Sight Gauge Window
164134	2782	Oil Sight Gauge Window Retainer
166035	2783	Thread Take-up Lever, complete, Nos. 52022 and 52024 for 106094
270083	2782	Rotating Hook Thread Guard for 144829

From the library of Harborne Needle Co.